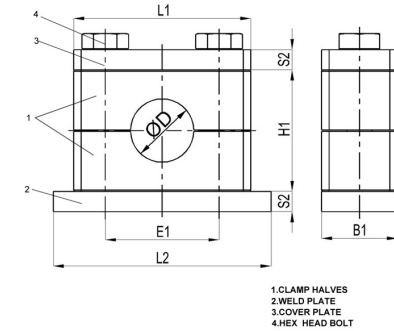
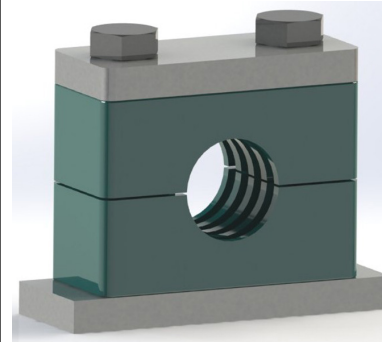




HYDROMATIK
connections par excellence

Pipe Clamps

PCH - PIPE CLAMPS (HEAVY SERIES) Heavy Series |



ORDER CODE	GROUP	TUBE OD MM Ã~D	TUBE NB	TUBE OD INCHES Ã~D	DIMENSION B1	DIMENSION E1	DIMENSION H1	DIMENSION L1	DIMENSION L2	DIMENSION S2	HEX HEAD BOLT
PCH 6	1	6			30	33	32	55	74	8	M10X45
PCH 6.4	1	6.4			30	33	32	55	74	8	M10X45
PCH 8	1	8		5/16	30	33	32	55	74	8	M10X45
PCH 9.5	1	9.5			30	33	32	55	74	8	M10X45
PCH 10	1	10	G1/8		30	33	32	55	74	8	M10X45
PCH 12	1	12			30	33	32	55	74	8	M10X45
PCH 12.7	1	12.7		1/2	30	33	32	55	74	8	M10X45
PCH 13.5	1	13.5	G1/4		30	33	32	55	74	8	M10X45
PCH 14	1	14			30	33	32	55	74	8	M10X45
PCH 15	1	15			30	33	32	55	74	8	M10X45
PCH 16	1	16		5/8	30	33	32	55	74	8	M10X45
PCH 17.2	1	17.2	G3/8		30	33	32	55	74	8	M10X45
PCH 18	1	18			30	33	32	55	74	8	M10X45

PCH 19	2	19		3/4	30	45	48	70	86	8	M10X60
PCH 20	2	20			30	45	48	70	86	8	M10X60
PCH 21.3	2	21.3	G1/2		30	45	48	70	86	8	M10X60
PCH 22	2	22			30	45	48	70	86	8	M10X60
PCH 25	2	25		1	30	45	48	70	86	8	M10X60
PCH 25.4	2	25.4			30	45	48	70	86	8	M10X60
PCH 26.9	2	26.9	G3/4		30	45	48	70	86	8	M10X60
PCH 28	2	28			30	45	48	70	86	8	M10X60
PCH 30	2	30			30	45	48	70	86	8	M10X60
PCH 30	3	30			30	60	60	85	100	8	M10X70
PCH 32	3	32		1-1/4	30	60	60	85	100	8	M10X70
PCH 33.7	3	33.7	G1		30	60	60	85	100	8	M10X70
PCH 35	3	35			30	60	60	85	100	8	M10X70
PCH 38	3	38		1-1/2	30	60	60	85	100	8	M10X70
PCH 40	3	40			30	60	60	85	100	8	M10X70
PCH 42	3	42	G1-1/4		30	60	60	85	100	8	M10X70
PCH 38	4	38		1-1/2	45	90	89	115	140	10	M12X100
PCH 42	4	42	G1-1/4		45	90	89	115	140	10	M12X100
PCH 44.5	4	44.5			45	90	89	115	140	10	M12X100
PCH 48.3	4	48.3	G1-1/2		45	90	89	115	140	10	M12X100
PCH 50.8	4	50.8		2	45	90	89	115	140	10	M12X100
PCH 55	4	55			45	90	89	115	140	10	M12X100
PCH 57	4	57		2-1/4	45	90	89	115	140	10	M12X100

PCH 60.3	4	60.3	G2		45	90	89	115	140	10	M12X100
PCH 63.5	4	63.5		2-1/2	45	90	89	115	140	10	M12X100
PCH 65	4	65			45	90	89	115	140	10	M12X100
PCH 70	4	70			45	90	89	115	140	10	M12X100
PCH 65	5	65			60	122	120	154	180	10	M16X130
PCH 70	5	70			60	122	120	154	180	10	M16X130
PCH 73	5	73			60	122	120	154	180	10	M16X130
PCH 76.1	5	76.1	G2-1/2	3	60	122	120	154	180	10	M16X130
PCH 80	5	80			60	122	120	154	180	10	M16X130
PCH 82.5	5	82.5		3-1/4	60	122	120	154	180	10	M16X130
PCH 88.9	5	88.9	G3	3-1/2	60	122	120	154	180	10	M16X130
PCH 88.9	6	88.9			80	168	168	206	226	15	M20X190
PCH 100	6	100			80	168	168	206	226	15	M20X190
PCH 101.6	6	101.6	G3-1/2	4	80	168	168	206	226	15	M20X190
PCH 108	6	108		4-1/4	80	168	168	206	226	15	M20X190
PCH 114.3	6	114.3	G4	4-1/2	80	168	168	206	226	15	M20X190
PCH 127	6	127		5	80	168	168	206	226	15	M20X190
PCH 133	6	133		5-1/4	80	168	168	206	226	15	M20X190
PCH 133	7	133		5-1/4	90	205	200	251	270	15	M24X220
PCH 139.7	7	139.7	G5	5-1/2	90	205	200	251	270	15	M24X220
PCH 152.4	7	152.4	G5-1/2	6	90	205	200	251	270	15	M24X220
PCH 159	7	159		6-1/4	90	205	200	251	270	15	M24X220
PCH 165	7	165	G6	6-1/2	90	205	200	251	270	15	M24X220

PCH 168.3	7	168.3		6-5/8	90	205	200	251	270	15	M24X220
PCH 168.3	8	168.3		6-5/8	120	265	270	320	340	25	M30X300
PCH 177.8	8	177.8		7	120	265	270	320	340	25	M30X300
PCH 193.7	8	193.7		7-5/8	120	265	270	320	340	25	M30X300
PCH 216	8	216			120	265	270	320	340	25	M30X300
PCH 219.1	8	219.1	G8	8-5/8	120	265	270	320	340	25	M30X300
PCH 219.1	9	219.1		8-5/8	160	395	410	470	520	30	M30X450
PCH 244.5	9	244.5			160	395	410	470	520	30	M30X450
PCH 273	9	273			160	395	410	470	520	30	M30X450
PCH 323.9	9	323.9			160	395	410	470	520	30	M30X450
PCH 355.6	10	355.6			180	534	530	630	680	30	M30X560
PCH 406.4	10	406.4			180	534	530	630	680	30	M30X560