



HYDROMATIK
connections par excellence

Valves

GAUGE ISOLATOR - Panel Mounting GI | Description

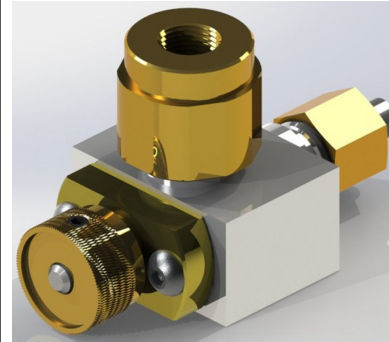
Seal type valve.

Swivelling gauge connection for easy gauge positioning.

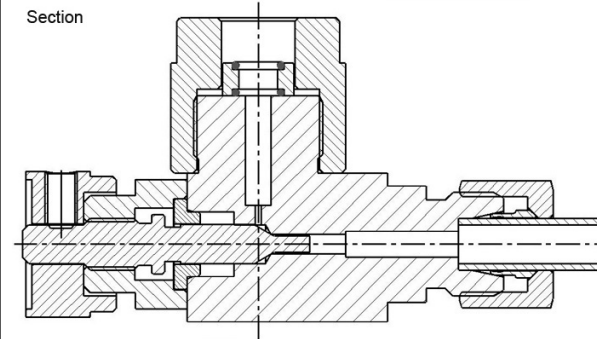
Compact assembly.

Eliminates gauge supporting bracket.

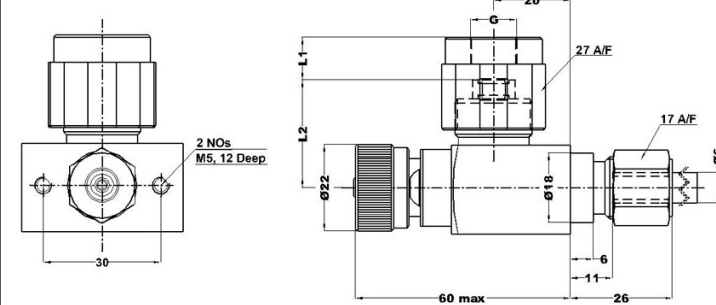
Angular gauge face plane in Sub- Plate mounting construction facilitating easy gauge reading.



Section



Unit Dimension



Part#	G	L1	L2
GI-PM-G 1/4	G 1/4	10.5	27.50
GI-PM-G 3/8	G 3/8	10.5	28.00
GI-PM-G 1/2	G 1/2	10.5	28.00

Technical Specification

Construction----Seat type

Mounting----Sub-Plate mounting interface / Panel mounting (Threaded body)

Interface Standard----Factory Standard.

Mounting Position----Optional.

Operating Pressure----350 bar.

Hydraulic medium----Mineral oil.

Viscosity range----10 cSt to 380 cSt.

Fluid temperature range ---- -20Â° C to +70Â° C.

Fluid cleanliness requirement----As per ISO 19/16 or better.

Mass----0.3 kg.