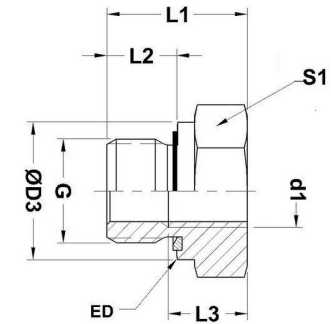




HYDROMATIK
connections par excellence

Metric Bite Type Fittings

RI-ED -- REDUCING THREAD ADAPTORS (female) RI-ED |
Male & Female Threads BSP With Elastomeric Seal



Part No.	PN	Male Stud G	Female Thread d1	L1	L2	S1	D3	L3	Fig.
RI 1/8 ED X 1/4	630	1/8	1/4	31	8	19	14	17	B
RI 1/8 ED X 3/8	630	1/8	3/8	32	8	24	14	17	B
RI 1/4 ED X 1/8	630	1/4	1/8	29	12	19	19	12	B
RI 1/4 ED X 3/8	630	1/4	3/8	36	12	24	19	17	B
RI 1/4 ED X 1/2	630	1/4	1/2	40	12	30	19	20	B
RI 1/4 ED X 3/4	630	1/4	3/4	43	12	36	19	22	B
RI 3/8 ED X 1/8	630	3/8	1/8	22.5	12	22	22	8	A
RI 3/8 ED X 1/4	630	3/8	1/4	36	12	22	22	17	B
RI 3/8 ED X 1/2	630	3/8	1/2	41	14	30	22	20	B
RI 3/8 ED X 3/4	400	3/8	3/4	44	14	36	22	22	B
RI 1/2 ED X 1/8	630	1/2	1/8	24	14	27	27	8	A
RI 1/2 ED X 1/4	630	1/2	1/4	24	14	27	27	12	A
RI 1/2 ED X 3/8	630	1/2	3/8	37	14	27	27	17	B

RI 1/2 ED X 3/4	400	1/2	3/4	46	14	36	27	22	B
RI 1/2 ED X 1	400	1/2	1	49	14	41	27	25	B
RI 1/2 ED X 11/4	400	1/2	11/4	53	14	55	27	27	B
RI 3/4 ED X 1/4	400	3/4	1/4	26	16	32	32	12	A
RI 3/4 ED X 3/8	400	3/4	3/8	26	16	32	32	12	A
RI 3/4 ED X 1/2	400	3/4	1/2	43	16	32	32	20	B
RI 3/4 ED X 1	400	3/4	1	51	16	41	32	25	B
RI 3/4 ED X 11/4	400	3/4	11/4	55	16	55	32	27	B
RI 3/4 ED X 11/2	315	3/4	11/2	57	16	60	32	29	B
RI 1 ED X 1/4	400	1	1/4	29	18	41	40	12	A
RI 1 ED X 3/8	400	1	3/8	29	18	41	40	12	A
RI 1 ED X 1/2	400	1	1/2	29	18	41	40	14	A
RI 1 ED X 3/4	400	1	3/4	49	18	41	40	22	A
RI 1 ED X 11/4	400	1	11/4	57	18	55	40	27	B
RI 1 ED X 11/2	315	1	11/2	59	18	60	40	29	B
RI 11/4 ED X 1/2	400	11/4	1/2	32	20	50	50	14	A
RI 11/4 ED X 3/4	400	11/4	3/4	32	20	50	50	16	A
RI 11/4 ED X 1	400	11/4	1	53	20	50	50	25	B
RI 11/4 ED X 11/2	315	11/4	11/2	60	20	60	50	29	B
RI 11/2 ED X 1/2	315	11/2	1/2	36	22	55	55	14	A
RI 11/2 ED X 3/4	315	11/2	3/4	36	22	55	55	16	A
RI 11/2 ED X 1	315	11/2	1	36	22	55	55	18	A
RI 11/2 ED X 11/4	315	11/2	11/4	58	22	55	55	27	B

RI 2 ED X 11/2	250	2	11/2	65	24	70	70	29	B
----------------	-----	---	------	----	----	----	----	----	---

Temp range without pressure reductions for 'ED' sealing of NBR (buna N- Std) -35° to +100° C, for FPM (Viton - On request) -25° to +120° C.