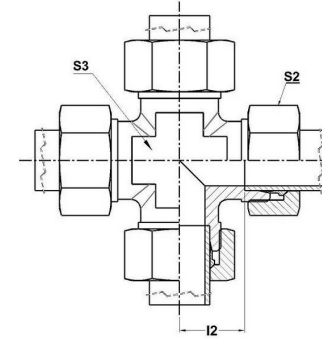
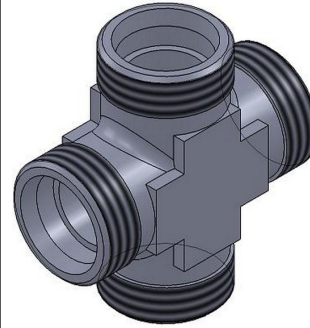




**HYDROMATIK**  
connections par excellence

## Metric Bite Type Fittings

### K - EQUAL CROSS K |



Part No.	Series	Tube OD	S2	S3	I2
K 06-L	Light-250 Bar	6	14	12	27
K 08-L	Light-250 Bar	8	17	14	29
K 10-L	Light-250 Bar	10	19	17	30
K 12-L	Light-250 Bar	12	22	19	32
K 15-L	Light-250 Bar	15	27	22	36
K 18-L	Light-160 Bar	18	32	27	40
K 22-L	Light-160 Bar	22	36	30	44
K 28-L*	Light-100 Bar	28	41	36	47
K 35-L	Light-100 Bar	35	50	46	56
K 42-L	Light-100 Bar	42	60	55	63
K 06-S	Heavy-630 Bar	6	17	14	31
K 08-S	Heavy-630 Bar	8	19	17	32
K 10-S	Heavy-630 Bar	10	22	19	34
K 12-S	Heavy-630 Bar	12	24	22	38
K 14-S	Heavy-400 Bar	14	27	22	40

K 16-S	Heavy-400 Bar	16	30	24	43
K 20-S	Heavy-400 Bar	20	36	30	48
K 25-S*	Heavy-400 Bar	25	46	36	54
K 30-S	Heavy-250 Bar	30	50	46	62
K 38-S	Heavy-250 Bar	38	60	55	72

Dimensions given approx. Fig. with tightened nut.

Part No. Given refers to complete assembly - Steel Part

\* Available in Forging Material