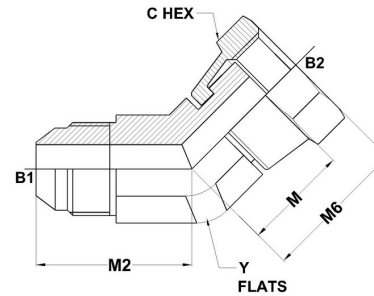
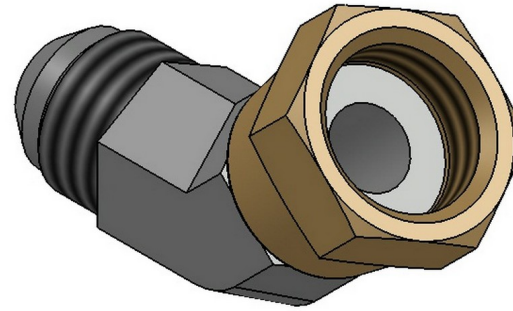




Tube Fittings & Adapters

MJ-FJS 45Â° 6502 Series | SAE# 070321 / MS# 51522



PART NO. SIZE	TUBE O.D.	B1 SAE 37	B2 SAE 37	B1 DRILL	B2 DRILL	M2 LGTH	M LGTH	M6 LGTH	C HEX	Y FLATS
6502-02-02-FG	1/8	5/16-24	5/16-24	0.062	0.062	0.69	0.63	0.94	0.438	0.438
6502-04-04-FG	1/4	7/16-20	7/16-20	0.172	0.172	0.72	0.59	0.94	0.563	0.438
6502-05-05-FG	5/16	1/2-20	1/2-20	0.234	0.234	0.77	0.62	1.00	0.625	0.562
6502-06-06-FG	3/8	9/16-18	9/16-18	0.297	0.297	0.83	0.82	1.12	0.688	0.562
6502-08-08-FG	1/2	3/4-16	3/4-16	0.391	0.391	0.98	0.85	1.28	0.875	0.750
6502-10-08-FG	5/8	7/8-14	3/4-16	0.484	0.391	1.11	0.91	1.34	0.875	0.875
6502-10-10-FG	5/8	7/8-14	7/8-14	0.484	0.484	1.11	0.94	1.44	1.000	0.875
6502-12-12-FG	3/4	1-1/16-12	1-1/16-12	0.609	0.609	1.28	0.93	1.50	1.250	1.062
6502-14-14-FG	7/8	1-3/16-12	1-3/16-12	0.719	0.719	1.45	1.04	1.62	1.375	1.312

6502-16-16-FG	1	1-5/16-12	1-5/16-12	0.844	0.844	1.47	1.15	1.75	1.500	1.312
6502-20-20-FG	1-1/4	1-5/8-12	1-5/8-12	1.078	1.078	1.59	1.39	2.03	2.000	1.625
6502-24-24-FG	1-1/2	1-7/8-12	1-7/8-12	1.312	1.312	1.78	1.53	2.25	2.250	1.875
6502-32-32-FG	2	2-1/2-12	2-1/2-12	1.781	1.781	2.22	1.96	2.91	2.875	2.500