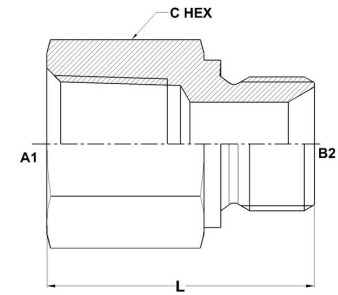
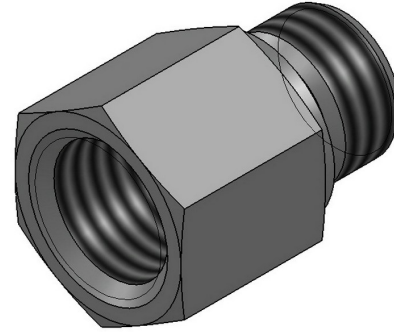




HYDROMATIK
connections par excellence

International Fittings

FP-MM Metric 7045 Series |



PART NO.SIZE	A1 NPTF	B2 MM	B2 DRILL	L LGTH	C1 HEX
7045-02-06	1/8-27	M6 x 1			15.0
7045-02-08	1/8-27	M8 x 1	3.0	24.2	15.0
7045-02-10	1/8-27	M10 x 1	4.5	13.5	16.0
7045-02-12	1/8-27	M12 x 1.5	6.0	19.0	19.0
7045-02-14	1/8-27	M14 x 1.5	7.5	19.0	19.0
7045-02-16	1/8-27	M16 x 1.5	9.0	20.5	22.0
7045-02-18	1/8-27	M18 x 1.5	11.0	20.5	24.0
7045-02-20	1/8-27	M20 x 1.5	12.5	21.0	27.0
7045-04-10	1/4-18	M10 x 1	4.5	28.6	19.0
7045-04-12	1/4-18	M12 x 1.5	6.0	32.6	19.0
7045-04-14	1/4-18	M14 x 1.5	7.5	32.6	19.0
7045-04-16	3/8-18	M16 x 1.5	9.0	33.9	22.0
7045-06-16	3/8-18	M16 x 1.5	9.0	33.9	22.0
7045-06-18	3/8-18	M18 x 1.5	11.0	20.5	24.0
7045-06-20	3/8-18	M20 x 1.5	12.5	21.0	27.0

7045-06-22	3/8-18	M22 x 1.5	14.0	24.0	27.0
7045-08-16	1/2-14	M16 x 1.5	9.0	40.0	28.0
7045-08-18	1/2-14	M18 x 1.5	11.0	40.0	28.0
7045-08-22	1/2-14	M22 x 1.5	14.0	42.0	28.0
7045-08-26	1/2-14	M26 x 1.5	18.0	26.0	32.0
7045-12-24	3/4-14	M24 x 1.5	15.5	45.5	35.0
7045-12-26	3/4-14	M26 x 1.5	18.0	45.5	35.0
7045-12-27	3/4-14	M27 x 2	18.0	45.5	35.0
7045-12-30	3/4-14	M30 x 2	21.0	30.0	36.0
7045-16-33	1-11-1/2	M33 x 2	23.0	53.8	41.0
7045-16-42	1-11-1/2	M42 x 2	30.0	32.0	50.0